

MC22S

ELECTRIC BATTERY OPERATED RADIO CONTROLLED CRANE
MAX CAPACITY 4,840 lbs



Pick&Carry Cranes

Edition 01/2016
© 2016 JMG Cranes srl. All rights reserved



JMG Cranes s.r.l. a socio unico

“Società sottoposta ad attività di direzione e coordinamento di Compart Italia srl”

Sede Legale: Via Dante, 15 - 26100 CREMONA | Uffici e stabilimento: Via Sito Nuovo, 14 - 29010 Sarnato - PC - Italy
C.F. e p.iva 05896090965 | Capitale Sociale Euro 84.000,00 i.v.
T +39 0523 8486 | F. +39 0523 848000 | E. info@jmgcranes.com | www.jmgcranes.com



MC22S 4,840 lbs

DRIVING:	Front by nr. 2 electric motors 2kW 24V AC controlled by inverter, insulation class H
BATTERY:	24V 420Ah. Battery meter indicator on dashboard. Autonomy: 8 working hours
BRAKE:	Automatic braking system working on all wheels
DRIVING:	Radio remote controlling the proportionality of the movement and allowing the possibility of simultaneous movements of crane driving and steering; boom telescoping, raising/lowering and possible accessories
FRAME:	Fabricated from preformed and welded quality steel plate with built-in counterweight
WHEELS:	Front nr. 2 superelastic 18x7-8" Rear nr. 2 superelastic 15x4 1/2-8"
BOOM:	4 elements boom (1 fixed, 2 hydraulically telescoping complete with manual extension) fabricated from preformed and welded quality steel, sequential telescope by cylinder fitted with wear pads. Boom angle 60°/-15°
HYDRAULIC SYSTEM:	Powered by a silenced gear pump (3kW). Actuators controlled by an electro distributor operated by radio control, filter and safety valve. 22 MPa working pressure
STEERING:	90° + 90° rear steering by electric motor. Counter rotation system on front wheels
MOTOR PUMP:	Electric motor 3kW 24V DC, insulation class H
L.M.I.:	Electronic load moment indicator system complying to CE safety standards, complete with display showing: load lifted, maximum admitted load, tilting percentage, operating radius, angle, outreach and complete with warning lights of the operating status
WEIGHT:	4,510 lbs
OPTIONS ON REQUEST:	Hydraulic winch, manual or hydraulic jib, man basket, chain hoist, fork attachment, on board battery charger, watering system for battery, ATEX conversions, customer color, non-marking tires
CRANE CLASSIFICATION ACCORDING TO UNI ISO 4301-1:	A3
EU STANDARDS CE:	2006/42 CE MD - 2004/108 CE EMC - 2006/95 CE LVD - 2000/14 and subsequent modifications
REFERENCE STANDARDS:	EN 13000: 2010 UNI ISO 4301-2:2011 and subsequent modifications



REAR 90°+90° AND COUNTER ROTATION SYSTEM ON FRONT WHEELS



RADIO REMOTE CONTROL



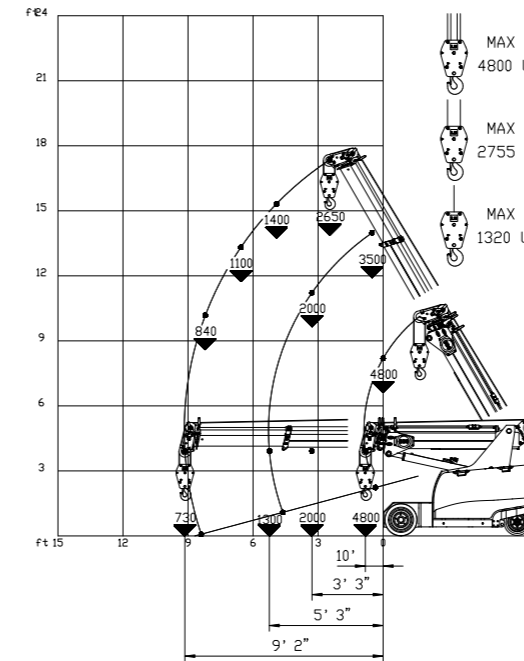
COMPACT DIMENSIONS



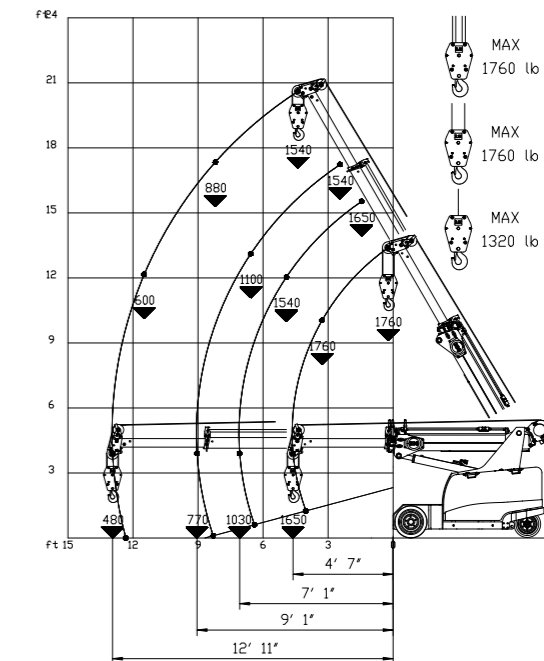
DASHBOARD

LOAD CHART HYDRAULIC WINCH

HYDRAULIC BOOM

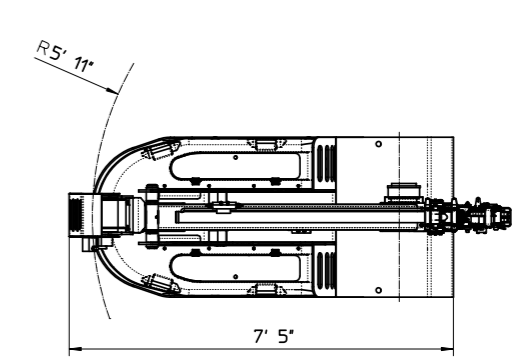
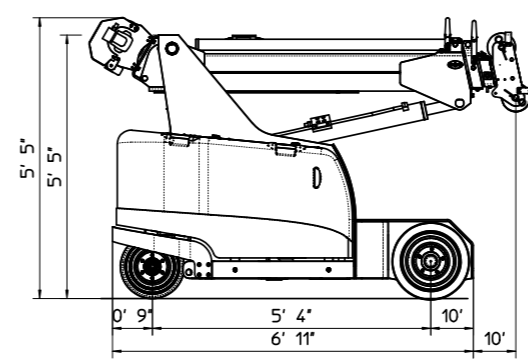


MANUAL EXTENSION

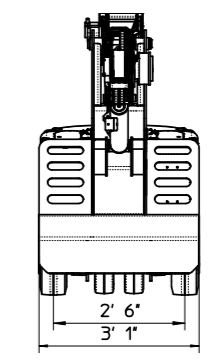
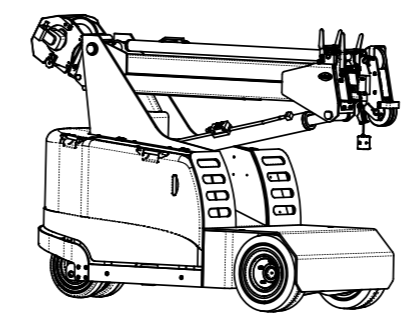


in-lbs

DIMENSIONS



in



Images shown in this brochure are indicative and dependable on the level of equipment. Models may differ from the pictures shown. Data above are subject to be changed without any previous notice.